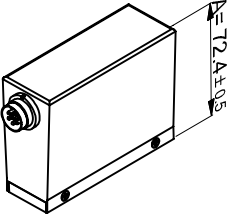
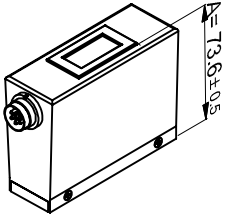
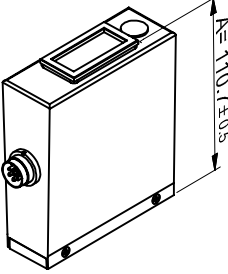
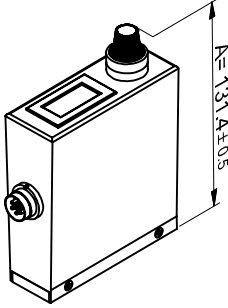
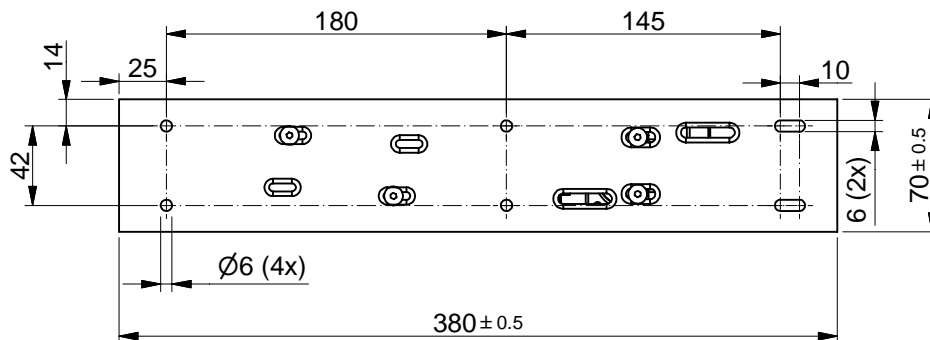
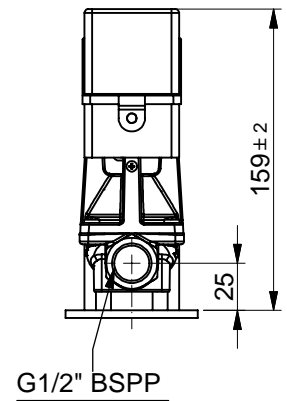
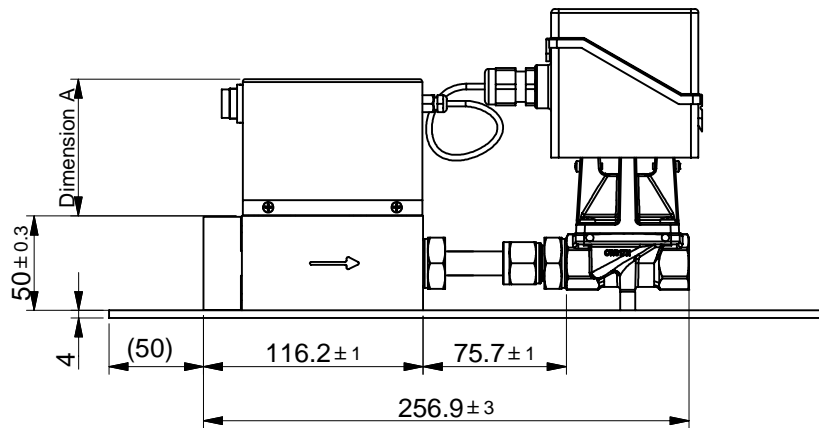
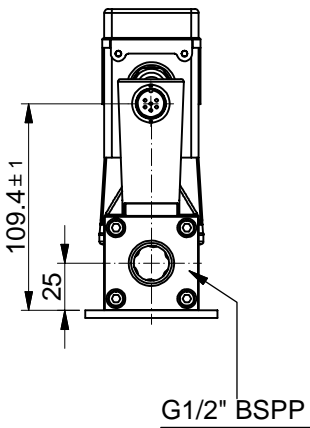
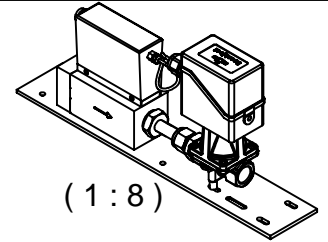

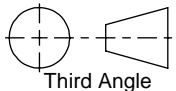


<p>1 (Scale 1:4)</p> 	<p>2 (Scale 1:4)</p> 	<p>3 (Scale 1:4)</p> 	<p>4 (Scale 1:4)</p> 
M+W analog case assy	M+W analog case assy with display	M+W analog case assy with V/F convertor	M+W analog case assy including potentiometer



Dimensions subject to change without notice.

Tolerances ±0.2 unless otherwise mentioned

<p>Title:</p> <p>Dimensional drawing M+W D-6271/BJ1/2"</p>	<p>Drawer : M.B.</p> <p>Date: 20-08-2009</p>	<p>Revision Description:</p> <p>New drawing</p>	
 <p>WWW.MW-INSTRUMENTS.COM</p>	<p>Projection:</p>  <p>Third Angle</p> <p>Dimensions:</p> <p>Metric (mm)</p>	<p>Checked :</p> <p>Date: 20-08-2009</p> <p>Drawing no.: 7.05.719</p>	<p>Was voorheen dc 2009042305</p> <p>Rev. by: M.B.</p> <p>Scale: 1:4</p> <p>A4</p> <p>Rev.: A</p> <p>Page: 1-1</p>