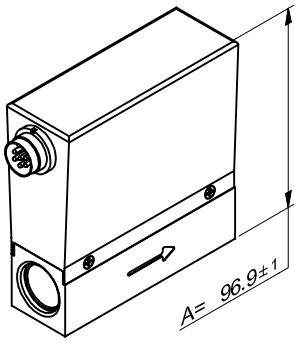
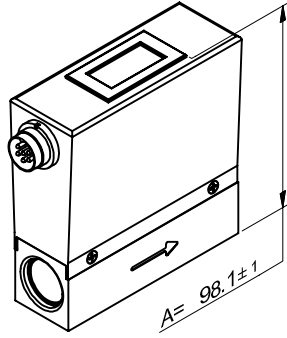


1 (Scale 1 : 3)



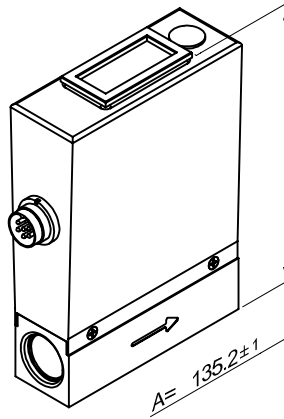
M+W analog case assy

2 (Scale 1 : 3)



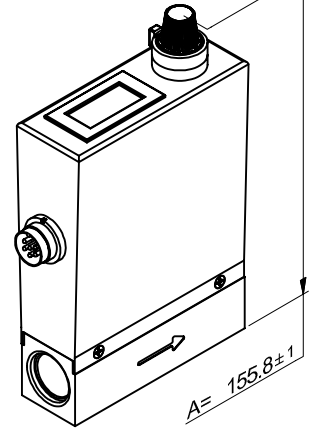
M+W analog case assy with display

3 (Scale 1 : 3)

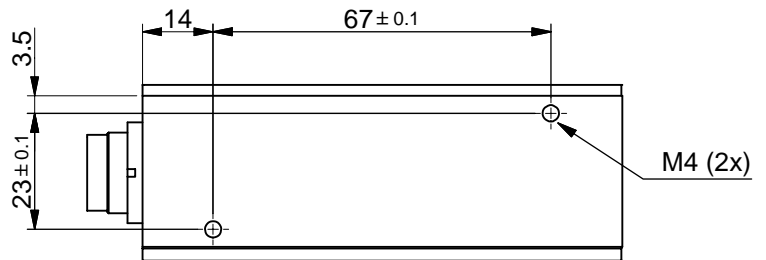
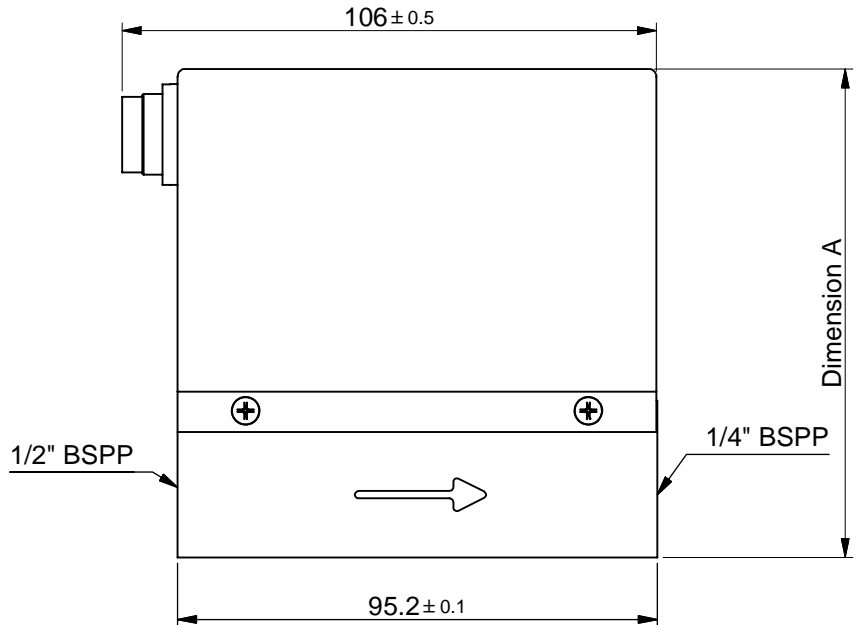
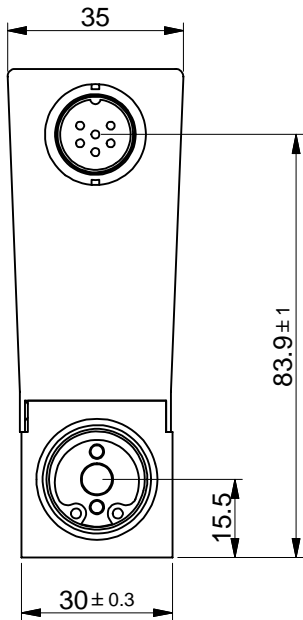


M+W analog case assy with V/F convertor

4 (Scale 1 : 3)

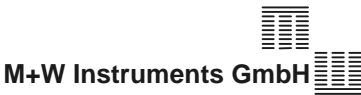
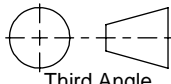


M+W analog case assy including potentiometer



Dimensions subject to change without notice.

Tolerances  $\pm 0.2$  unless otherwise mentioned

Title: <b>Dimensional drawing M+W D-5121</b>		Drawer : P.T.B. Date: 08-05-1998	Revision Description: Width case added.	
 <b>M+W Instruments GmbH</b> WWW.MW-INSTRUMENTS.COM	Projection:  Third Angle	Checked : Date: 22-08-2008	Rev. by: M.B.	Scale: 2:3
	Dimensions: <b>Metric (mm)</b>	Drawing no.: 7.05.394	Rev.: H	Page: 1-1