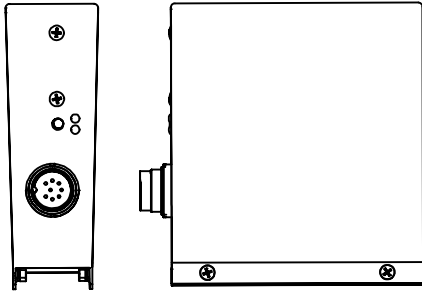
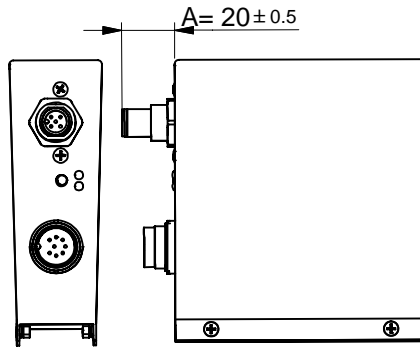


One of these digital case assemblies replaces the case assembly as drawn in the dimensional drawing.
Please note that the width increases when a connector is used.

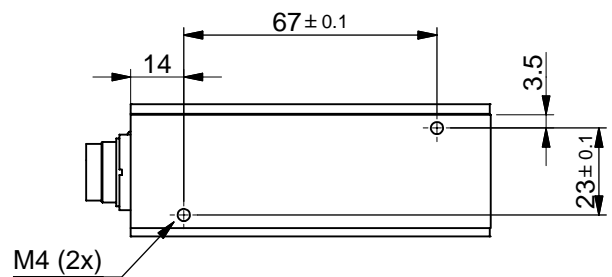
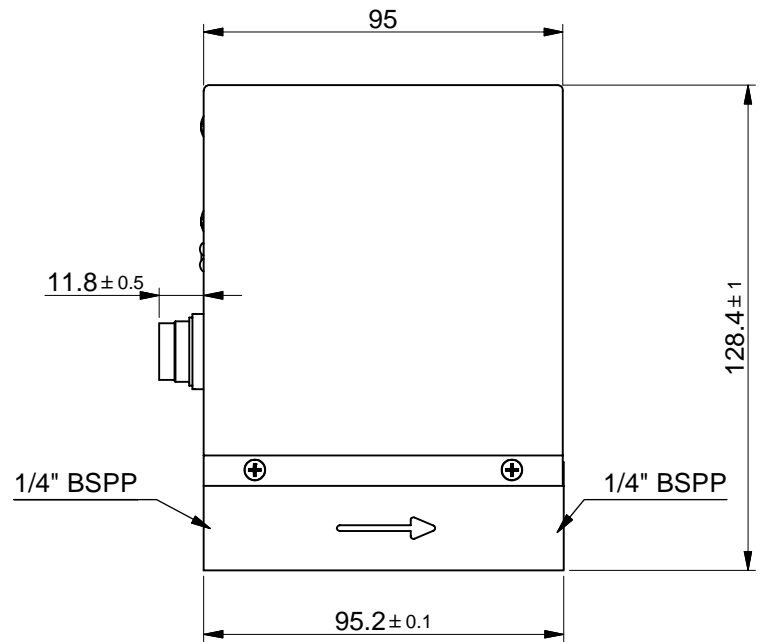
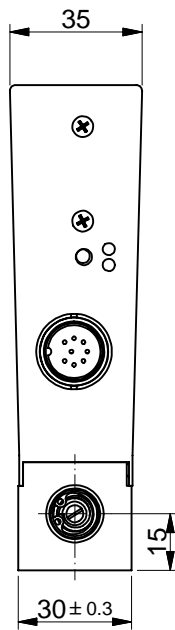
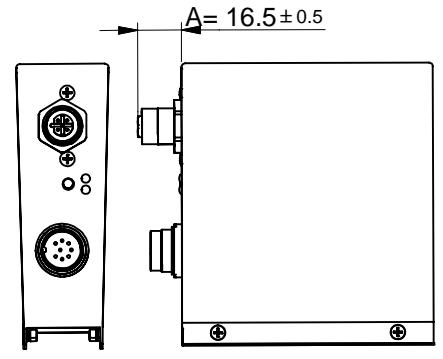
analog / RS232



FLOW-BUS / DeviceNet / Modbus



PROFIBUS



Dimensions subject to change without notice.

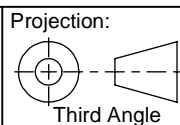
Tolerances ± 0.2 unless otherwise mentioned

Title: Dimensional drawing M+W
D-5110/11/D-6210/11/D-6230/31
DMFM / DMFC

Drawer : M.B.
Date: 08-05-2008

Revision Description:
New drawing

M+W Instruments GmbH



Checked :
Date: 13-05-2008

Rev. by:

Scale: 1:2

A4

WWW.MW-INSTRUMENTS.COM

Dimensions:
Metric (mm)

Drawing no.: 7.05.703

Rev.: A

Page: 1-1