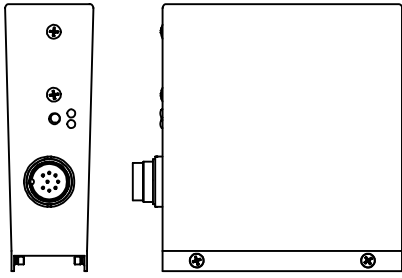
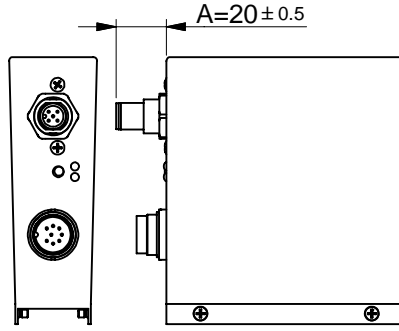


One of these digital case assemblies replaces the case assembly as drawn in the dimensional drawing.
Please note that the width increases when a connector is used.

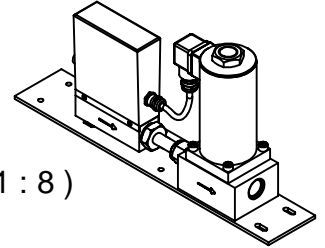
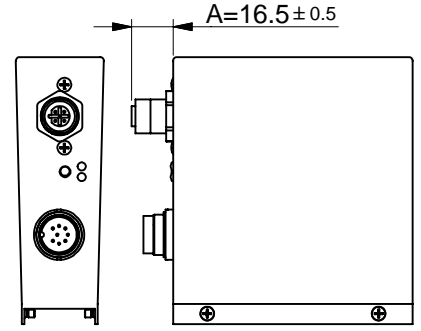
analog / RS232



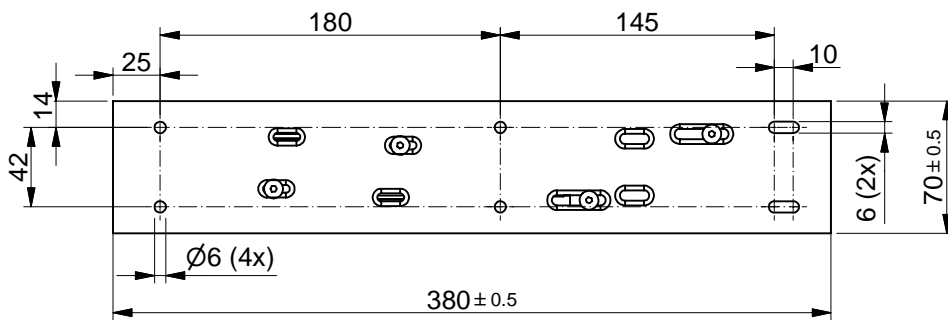
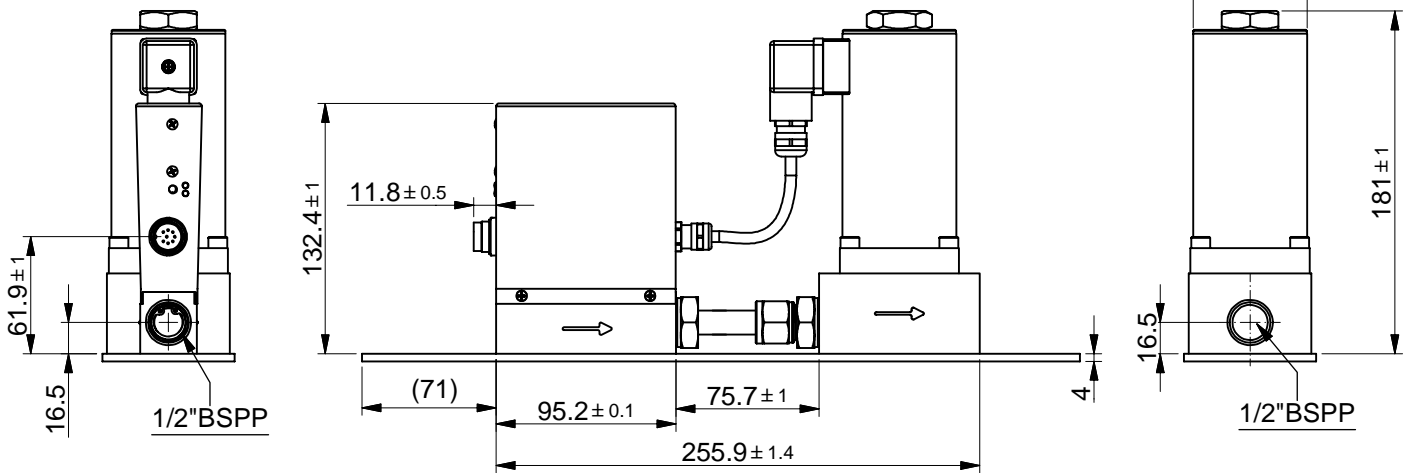
FLOW-BUS / DeviceNet / Modbus



PROFIBUS


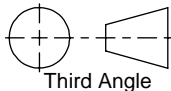


(1 : 8)



Tolerances ± 0.2 unless otherwise mentioned

Dimensions subject to change without notice.

Title: Dimensional drawing M+W D-6251 DMFC / F-004BI		Drawer : M.d.J. Date: 24-02-2011	Revision Description: PRELIMINARY New drawing	
 WWW.MW-INSTRUMENTS.COM	Projection:  Third Angle	Checked : Date: 24-02-2011	Rev. by:	Scale: 1:4
	Dimensions: Metric (mm)	Drawing no.: 2011022403	Rev.: A	Page: 1-1