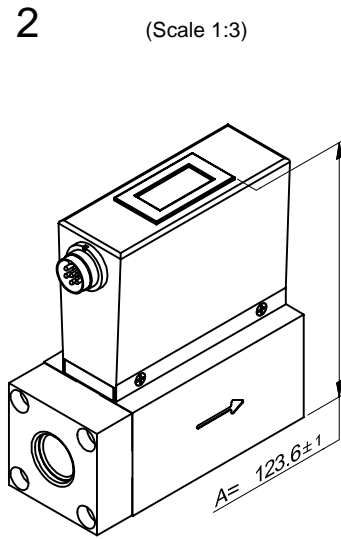
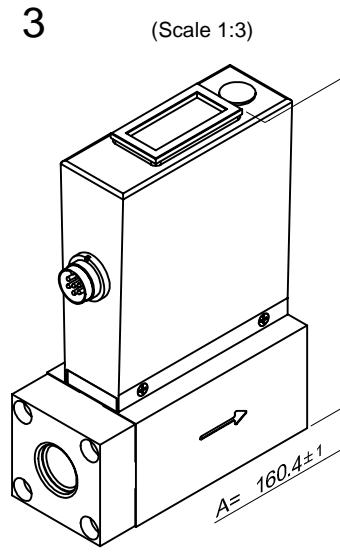


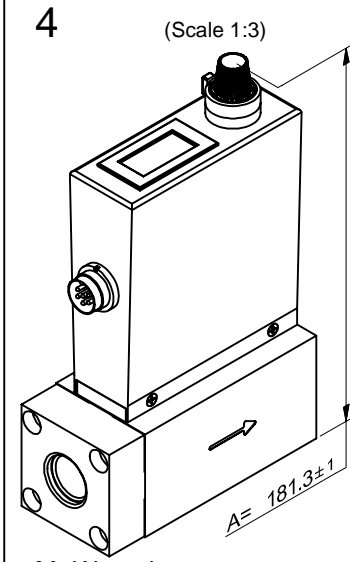
M+W analog case assy



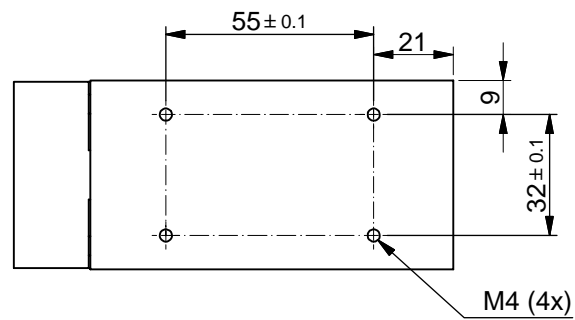
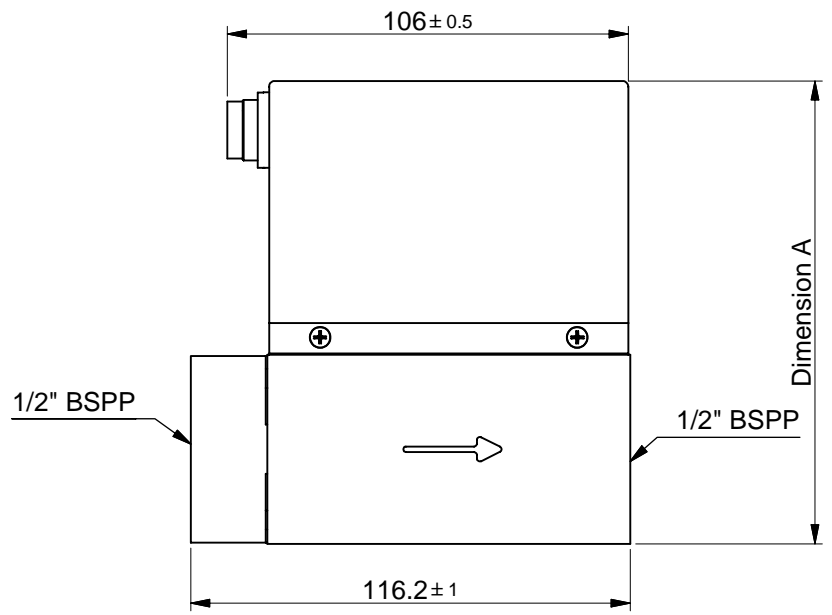
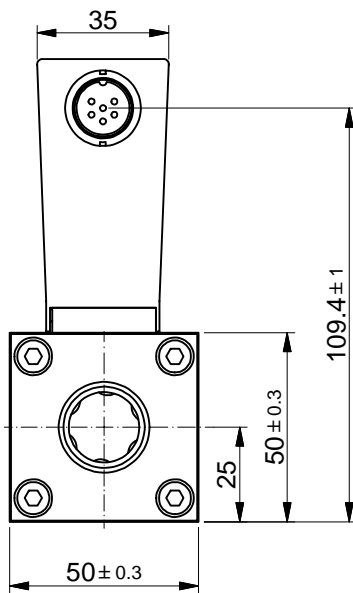
M+W analog case assy with display



M+W analog case assy with V/F convertor



M+W analog case assy including potentiometer



Dimensions subject to change without notice.

Tolerances ± 0.2 unless otherwise mentioned

Title: Dimensional drawing M+W D-6270		Drawer : P.T.B. Date: 07-05-1998	Revision Description: Update drawing.		
 M+W Instruments GmbH WWW.MW-INSTRUMENTS.COM	Projection: Third Angle	Checked : Date: 27-08-2008	Rev. by: M.B.	Scale: 1:2	A4
	Dimensions: Metric (mm)	Drawing no.: 7.05.392	Rev.: H	Page: 1-1	