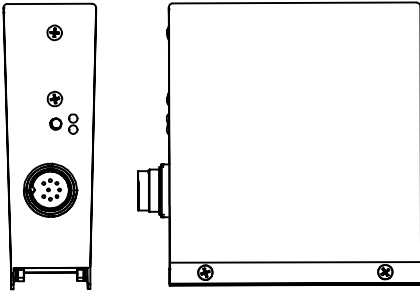
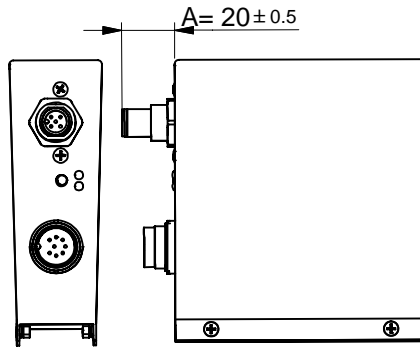


One of these digital case assemblies replaces the case assembly as drawn in the dimensional drawing.  
Please note that the width increases when a connector is used.

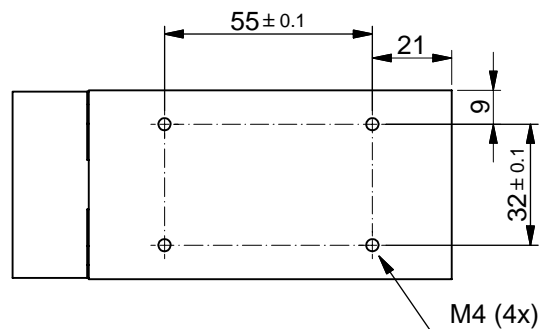
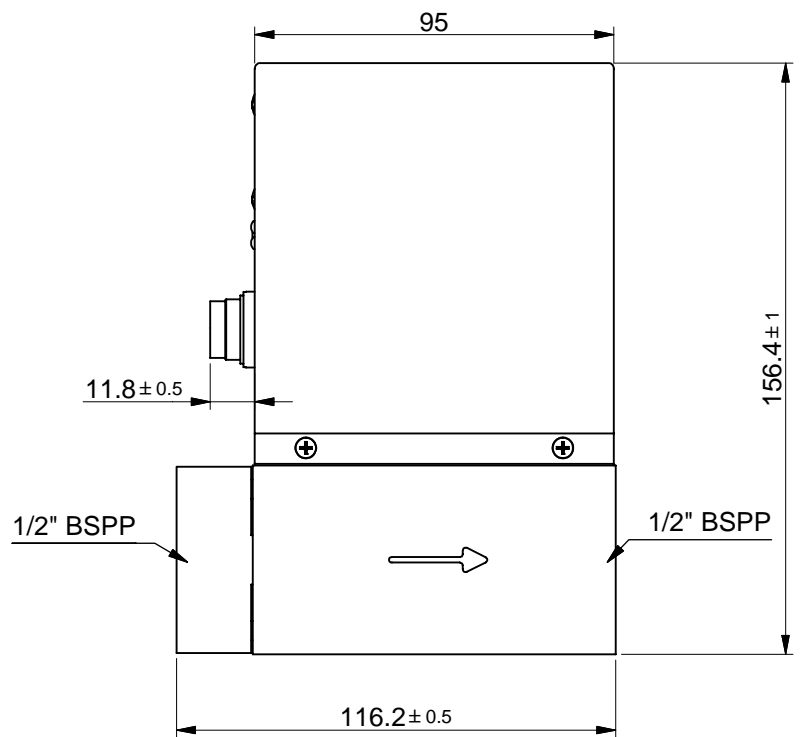
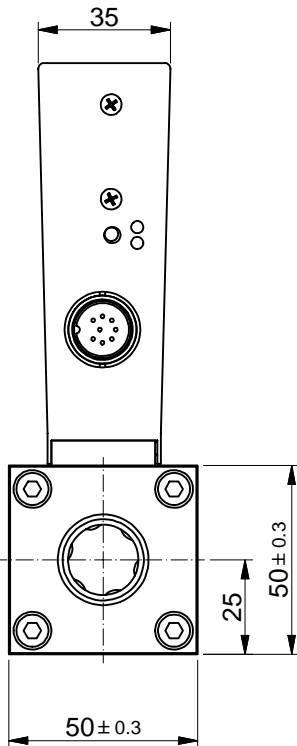
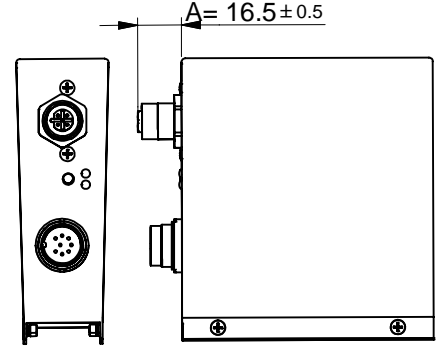
analog / RS232



FLOW-BUS / DeviceNet / Modbus

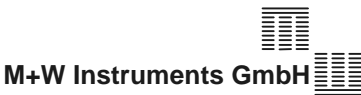
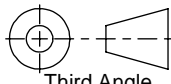


PROFIBUS



Dimensions subject to change without notice.

Tolerances  $\pm 0.2$  unless otherwise mentioned

Title: <b>Dimensional drawing M+W D-6270 DMFM</b>		Drawer : M.B. Date: 08-05-2008	Revision Description: New drawing	
 <b>M+W Instruments GmbH</b> WWW.MW-INSTRUMENTS.COM	Projection:  Third Angle	Checked : Date: 13-05-2008	Rev. by:	Scale: 1:2
	Dimensions: <b>Metric (mm)</b>	Drawing no.: 7.05.707	Rev.: A	A4
			Page: 1-1	