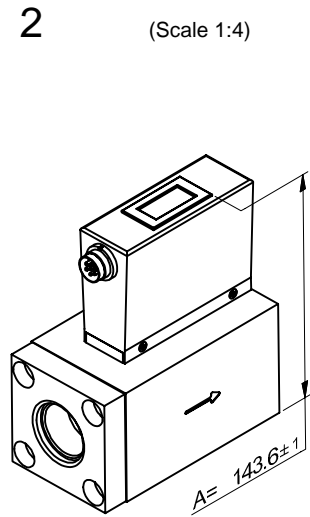
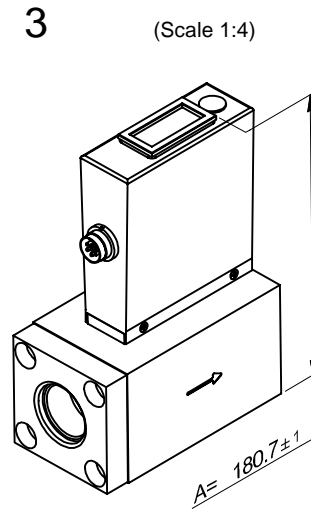


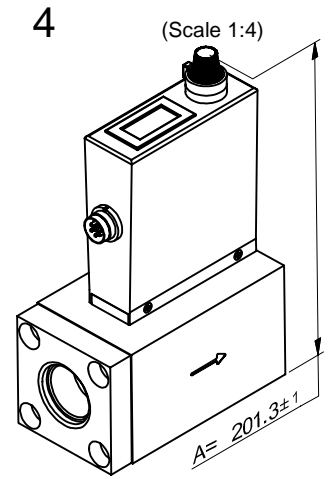
M+W analog case assy



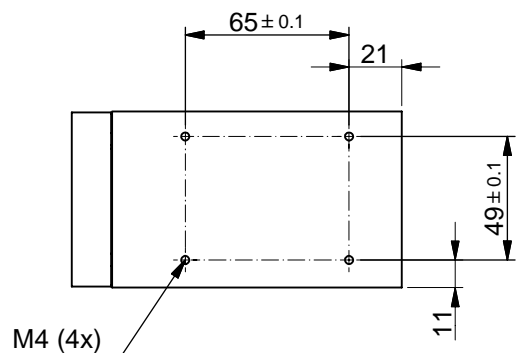
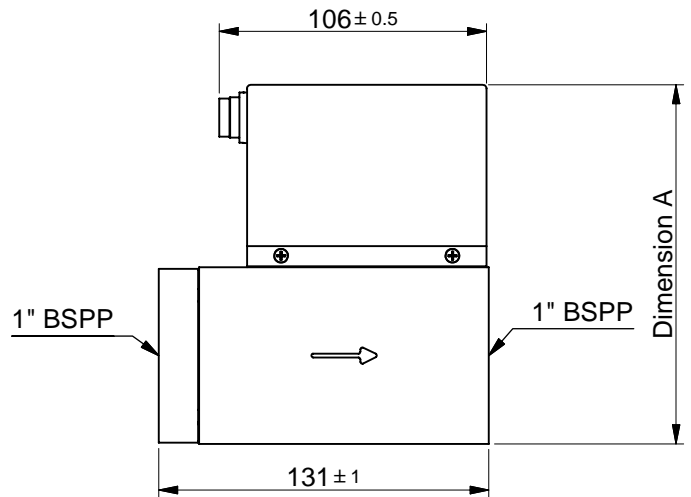
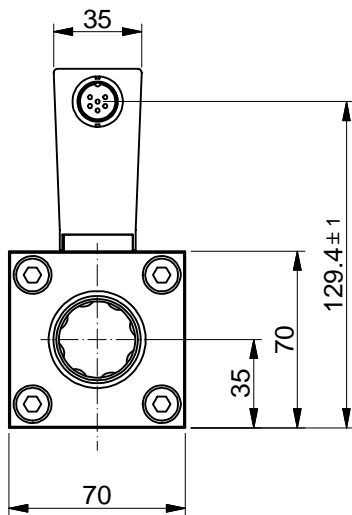
M+W analog case assy with display



M+W analog case assy with V/F convertor

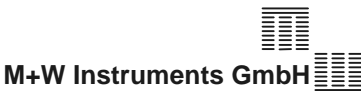
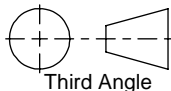


M+W analog case assy including potentiometer



Dimensions subject to change without notice.

Tolerances  $\pm 0.2$  unless otherwise mentioned

Title: <b>Dimensional drawing M+W D-6280</b>		Drawer : P.T.B. Date: 28-11-2000	Revision Description: Update drawing.	
 <b>M+W Instruments GmbH</b> WWW.MW-INSTRUMENTS.COM	Projection:  Third Angle	Checked : Date: 27-08-2008	Rev. by: M.B.	Scale: 1:3
	Dimensions: <b>Metric (mm)</b>	Drawing no.: 7.05.437	Rev.: D	Page: 1-1