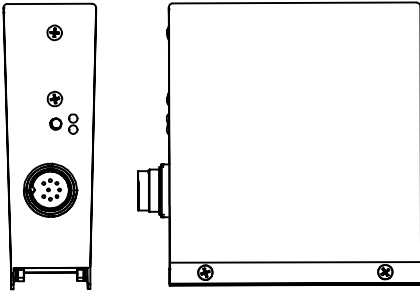
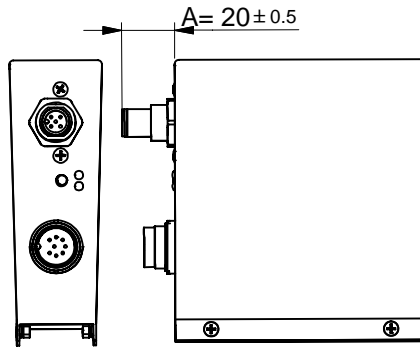


One of these digital case assemblies replaces the case assembly as drawn in the dimensional drawing.
Please note that the width increases when a connector is used.

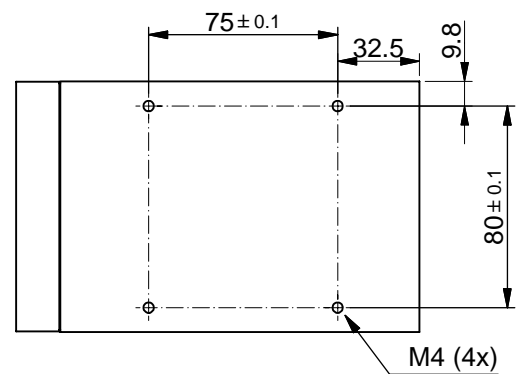
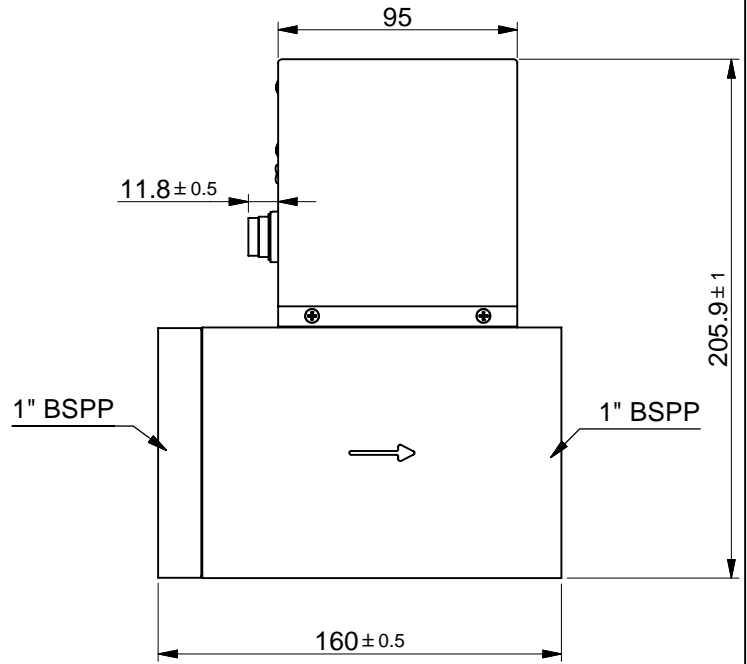
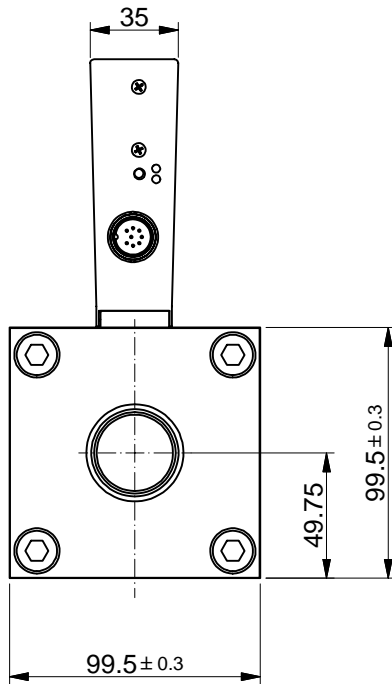
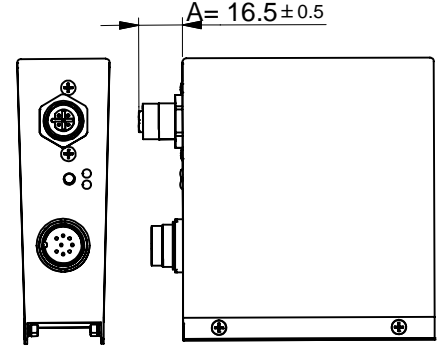
analog / RS232



FLOW-BUS / DeviceNet / Modbus

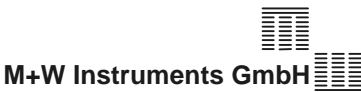
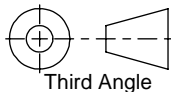


PROFIBUS



Dimensions subject to change without notice.

Tolerances ± 0.2 unless otherwise mentioned

| | | | | |
|---|---|-----------------------------------|--------------------------------------|------------|
| Title: Dimensional drawing M+W D-6290 DMFM | | Drawer : M.B. Date: 08-05-2008 | Revision Description: New drawing | |
|  M+W Instruments GmbH WWW.MW-INSTRUMENTS.COM | Projection:  Third Angle | Checked : Date: 13-05-2008 | Rev. by: | Scale: 1:3 |
| | Dimensions: Metric (mm) | Drawing no.: 7.05.709 | Rev.: A | Page: 1-1 |