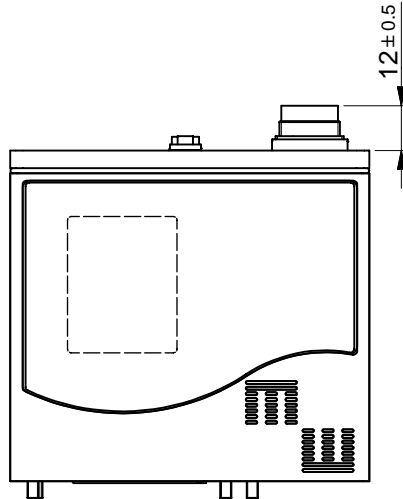
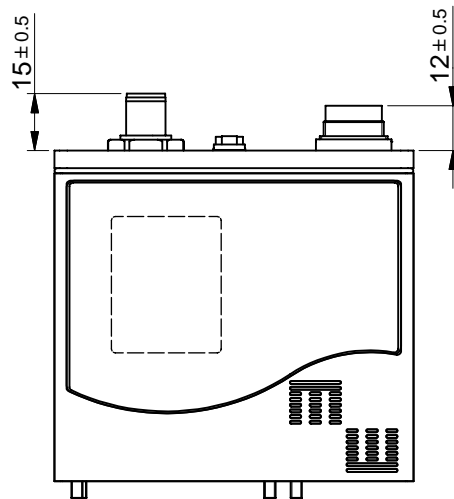


One of these digital case assemblies replaces the case assembly as drawn in the dimensional drawing.
Please note that the height increases when a connector is used.

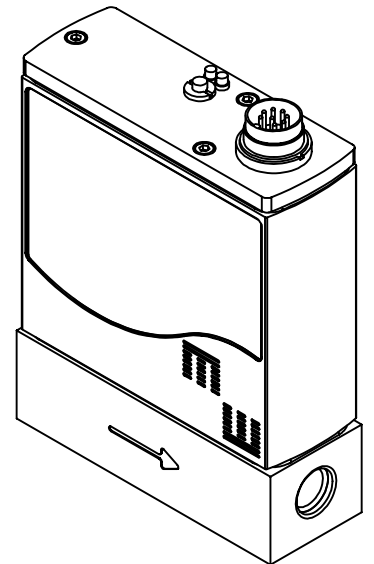
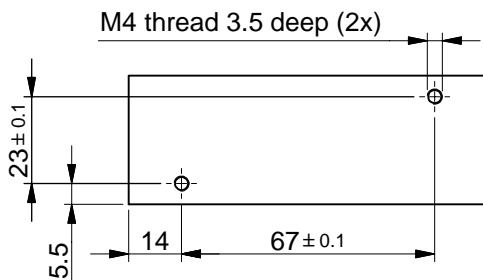
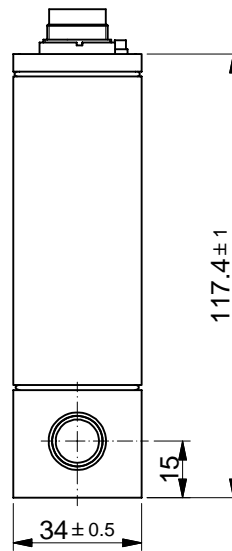
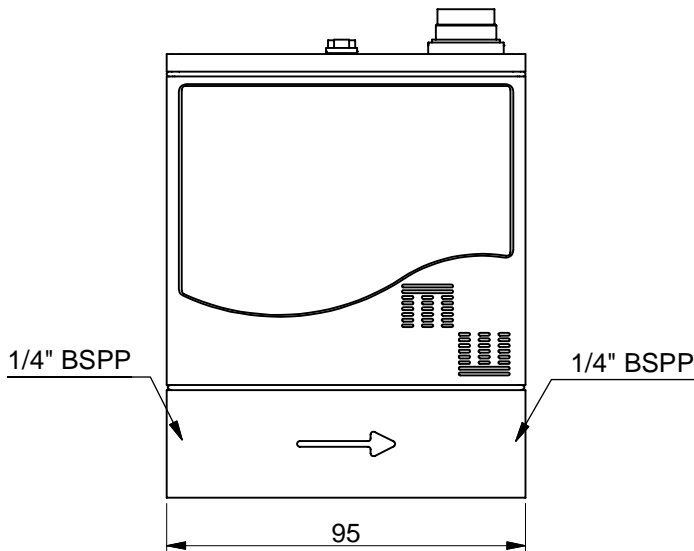
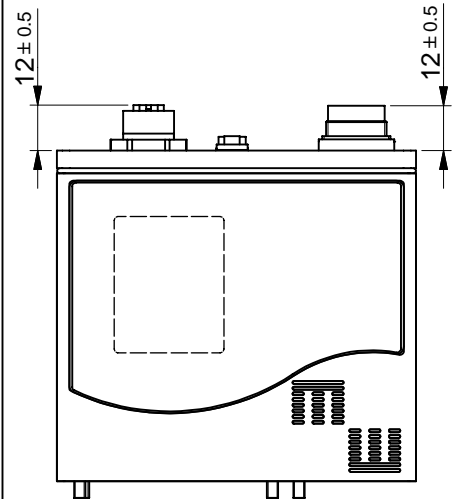
analog / RS232



FLOW-BUS / DeviceNet / Modbus


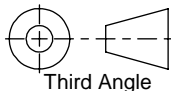


PROFIBUS



Tolerances ± 0.2 unless otherwise mentioned

Dimensions subject to change without notice.

Title: Dimensional drawing M+W D-6311/D-6321		Drawer : J.H. Date: 21-04-2009	Revision Description: Adapter chamber changed from 1/8" to 1/4".		
 WWW.MW-INSTRUMENTS.COM	Projection:  Third Angle	Checked : Date: 30-09-2011	Rev. by: M.B.	Scale: 1:2	A4
	Dimensions: Metric (mm)	Drawing no.: 7.05.754	Rev.: D	Page: 1-1	