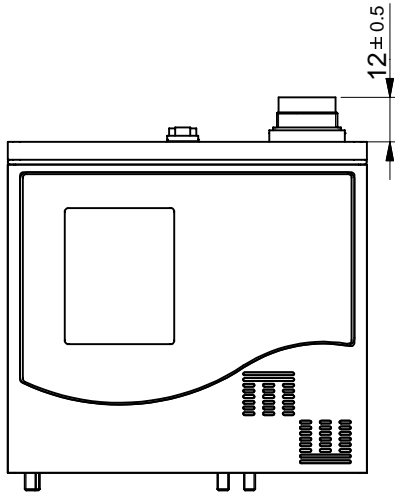
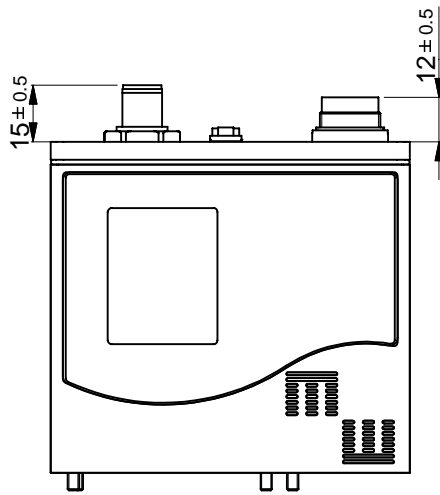


One of these digital case assemblies replaces the case assembly as drawn in the dimensional drawing. Please note that the height increases when a connector is used.

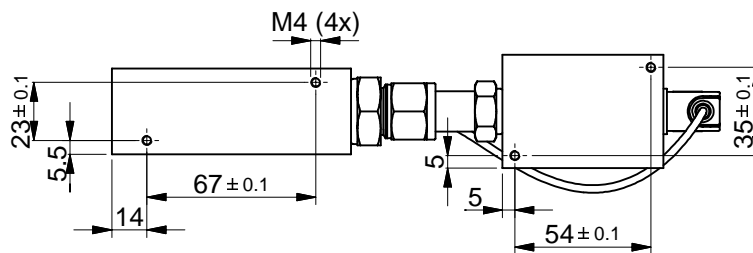
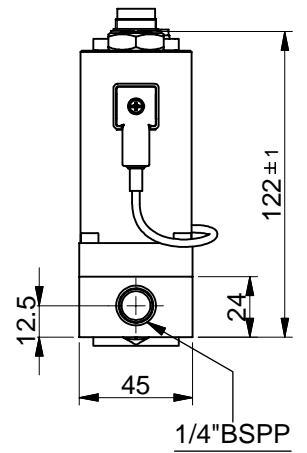
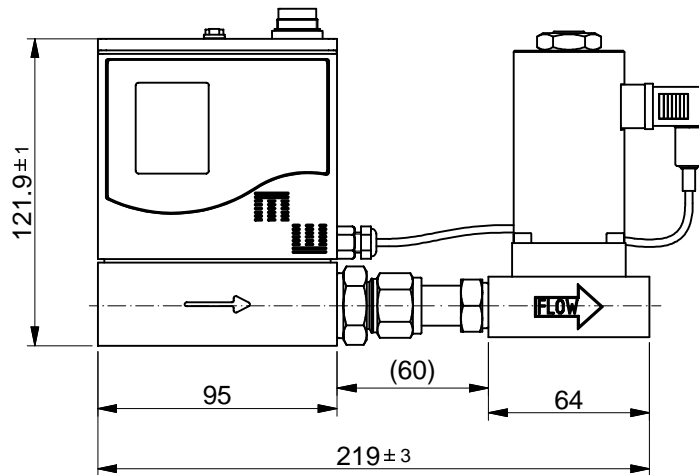
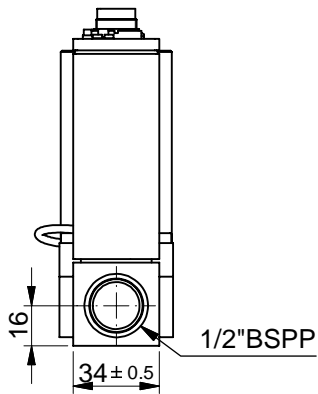
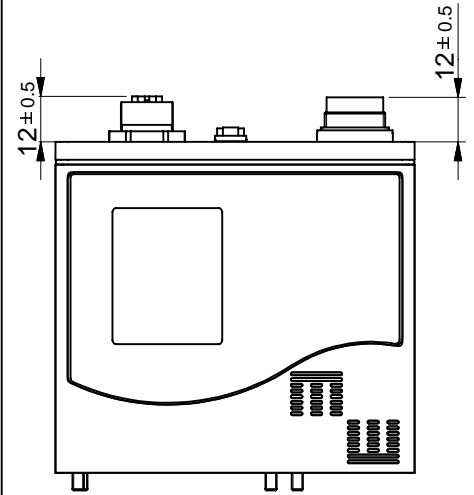
analog / RS232



FLOW-BUS / DeviceNet / Modbus

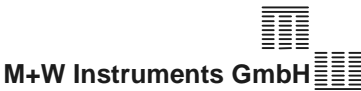
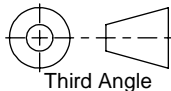


PROFIBUS



Dimensions subject to change without notice.

Tolerances  $\pm 0.2$  unless otherwise mentioned

Title: <b>Dimensional drawing M+W D-6363 with F-004AI</b>		Drawer : M.B. Date: 27-04-2010	Revision Description: <b>PRELIMINARY New drawing</b>	
 <b>M+W Instruments GmbH</b> WWW.MW-INSTRUMENTS.COM	Projection:  Third Angle	Checked : Date: 27-04-2010	Rev. by:	Scale: 1:3
	Dimensions: <b>Metric (mm)</b>	Drawing no.: 2010042701	Rev.: A	Page: 1-1