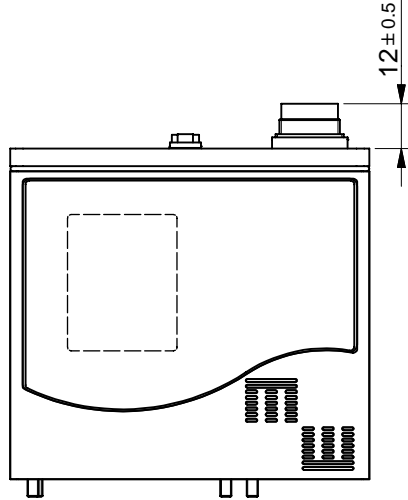
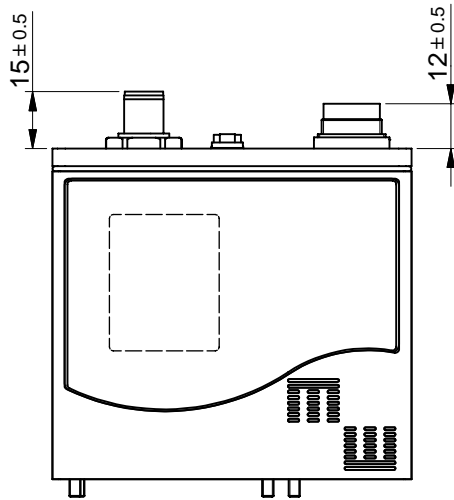


One of these digital case assemblies replaces the case assembly as drawn in the dimensional drawing.
Please note that the height increases when a connector is used.

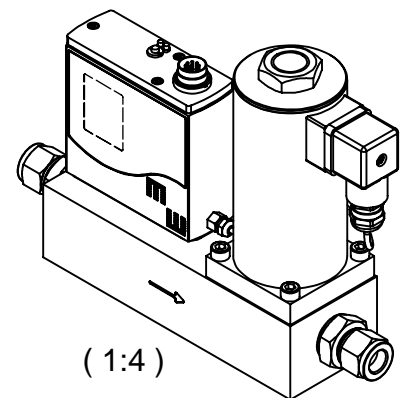
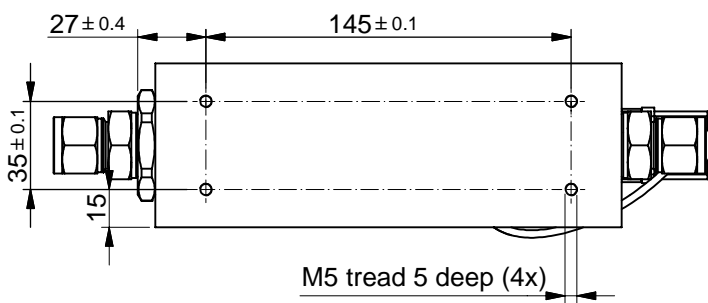
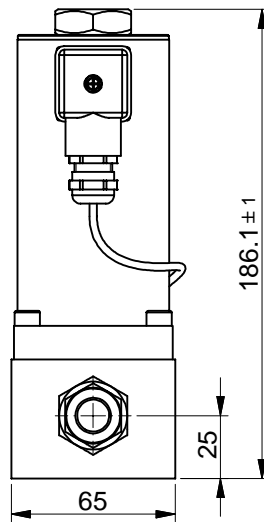
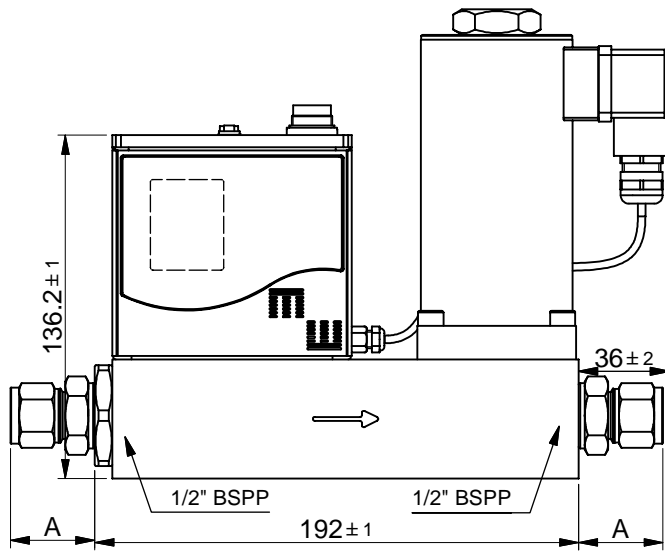
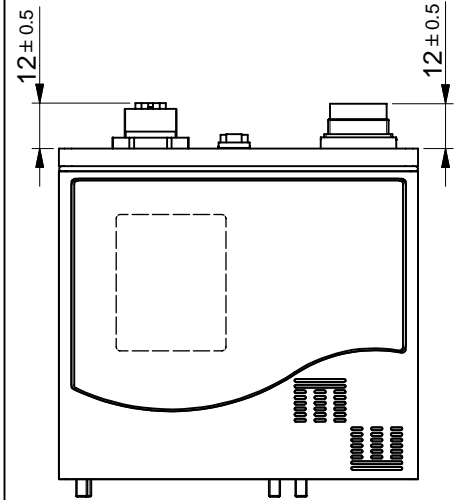
analog / RS232



FLOW-BUS / DeviceNet / Modbus



PROFIBUS


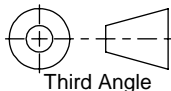


(1:4)

Check document 7.05.802 for dimension A
Dimensions subject to change without notice.



Tolerances ± 0.2 unless otherwise mentioned

| | | | | |
|--|---|-----------------------------------|---|-----------------|
| Title: Dimensional drawing M+W D-6371 with adapters | | Drawer : M.B. Date: 10-02-2010 | Revision Description: Comment added. | |
|  WWW.MW-INSTRUMENTS.COM | Projection:  Third Angle | Checked : Date: 09-03-2010 | Rev. by: M.B. | Scale: 1:3 |
| | Dimensions: Metric (mm) | Drawing no.: 7.05.799 | Rev.: B | A4 Page: 1-1 |