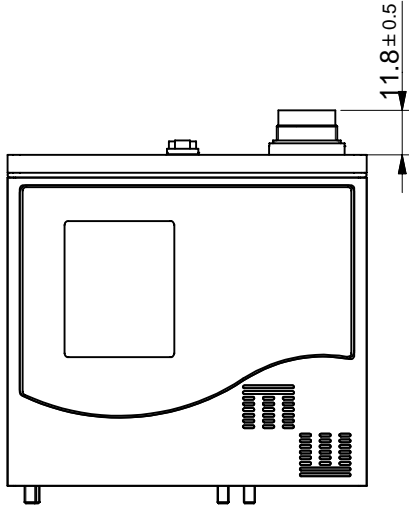
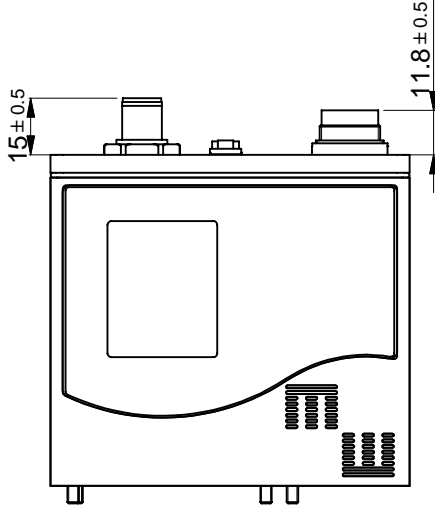


One of these digital case assemblies replaces the case assembly as drawn in the dimensional drawing. Please note that the height increases when a connector is used.

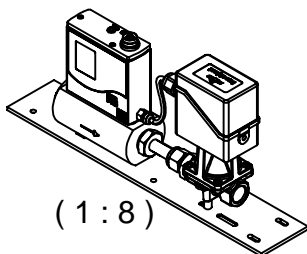
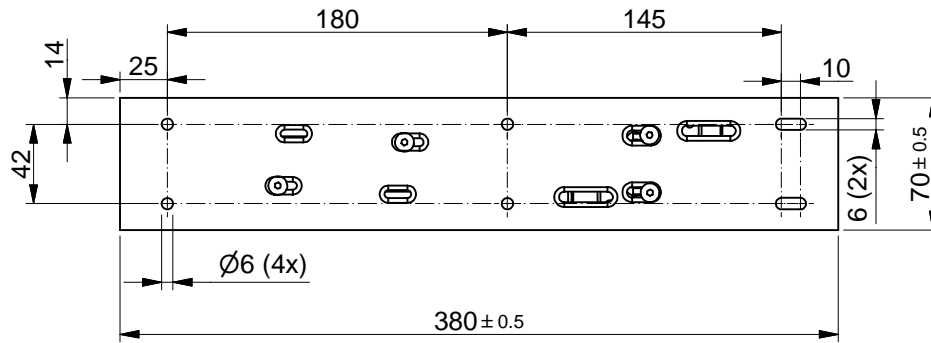
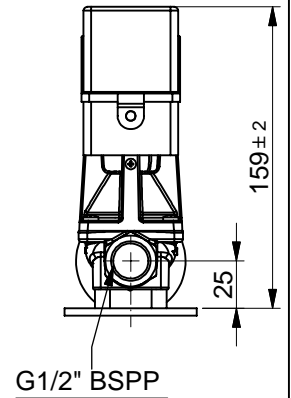
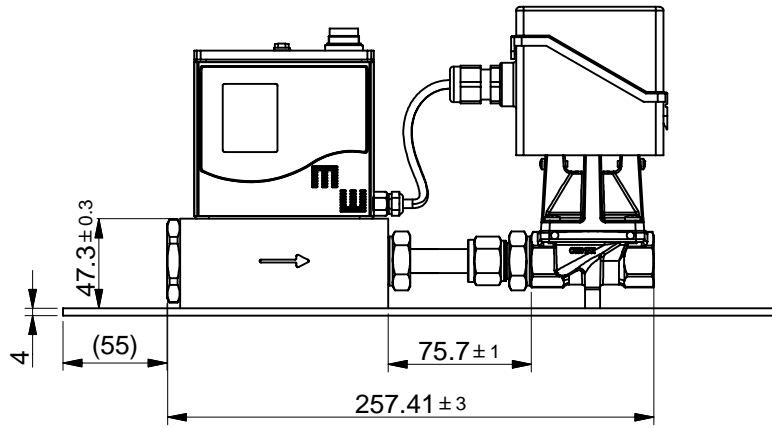
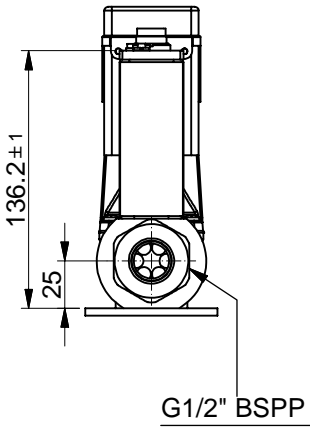
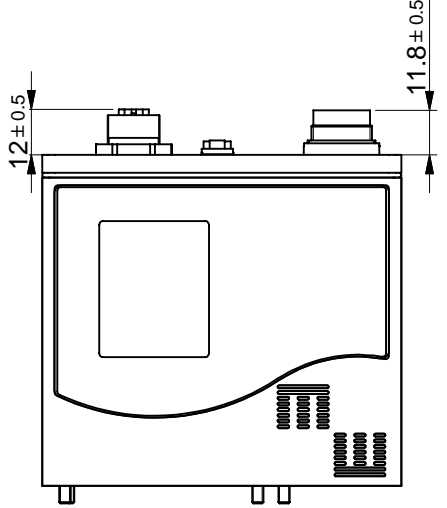
analog / RS232



FLOW-BUS / DeviceNet / Modbus


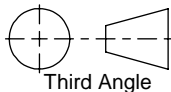


PROFIBUS



Dimensions subject to change without notice.

Tolerances  $\pm 0.2$  unless otherwise mentioned

Title: Dimensional drawing M+W D-6373/BJ1/2"		Drawer : M.B. Date: 07-01-2010	Revision Description: PRELIMINARY New drawing.		
 WWW.MW-INSTRUMENTS.COM	Projection:  Third Angle	Checked : Date: 07-01-2010	Rev. by: M.B.	Scale: 1:4	A4
	Dimensions: Metric (mm)	Drawing no.: 7.05.781	Rev.: A	Page: 1-1	