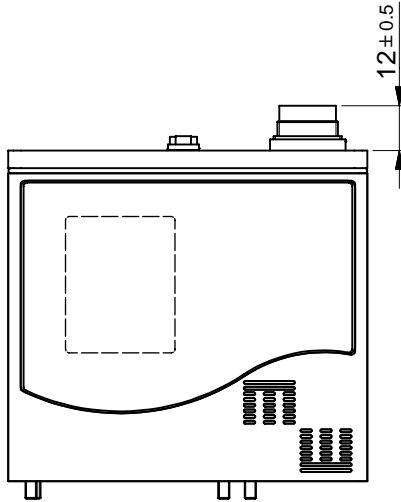
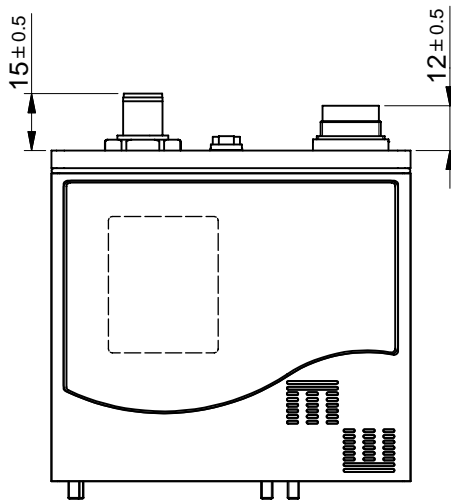


One of these digital case assemblies replaces the case assembly as drawn in the dimensional drawing.
Please note that the height increases when a connector is used.

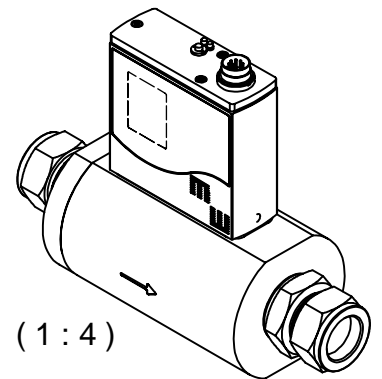
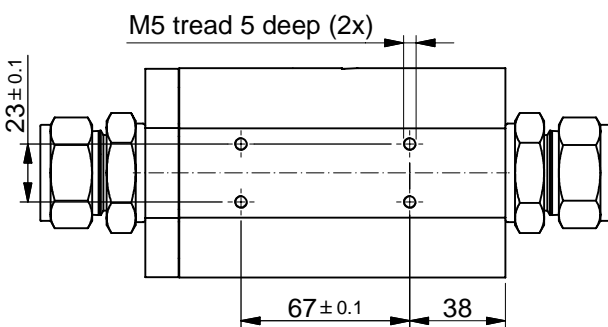
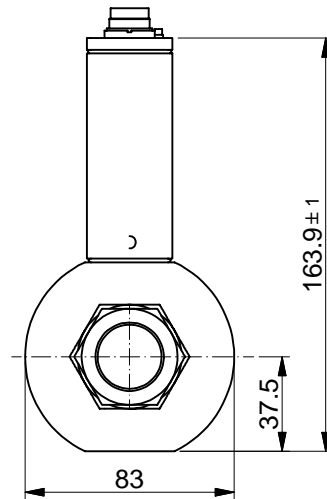
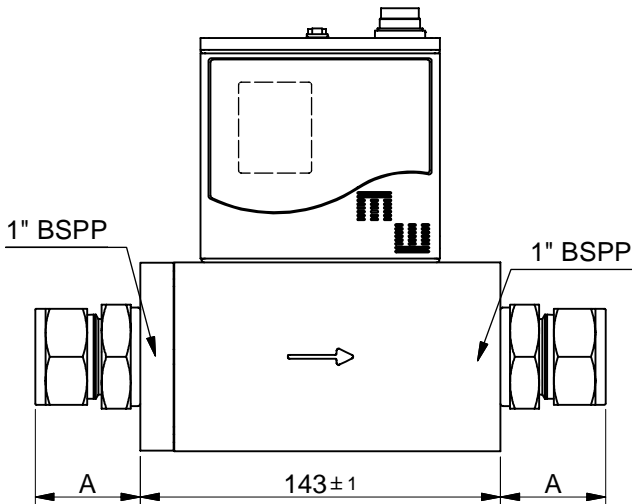
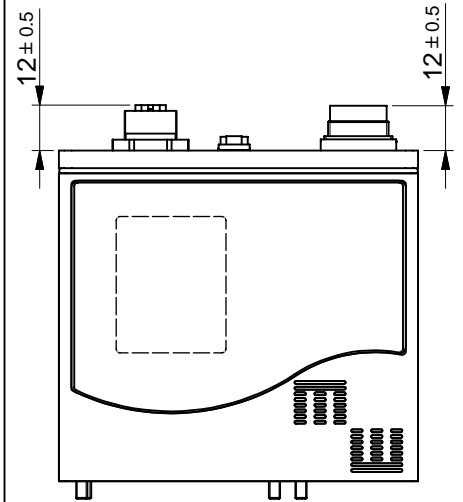
analog / RS232



FLOW-BUS / DeviceNet / Modbus


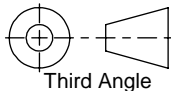


PROFIBUS



Check document 7.05.802 for dimension A
Dimensions subject to change without notice.

Tolerances ± 0.2 unless
otherwise mentioned

Title: Dimensional drawing M+W D-6380 with adapters		Drawer : M.B. Date: 09-02-2010	Revision Description: Comment added.	
 WWW.MW-INSTRUMENTS.COM	Projection:  Third Angle	Checked : Date: 09-03-2010	Rev. by: M.B.	Scale: 1:3
	Dimensions: Metric (mm)	Drawing no.: 7.05.795	Rev.: B	A4 Page: 1-1