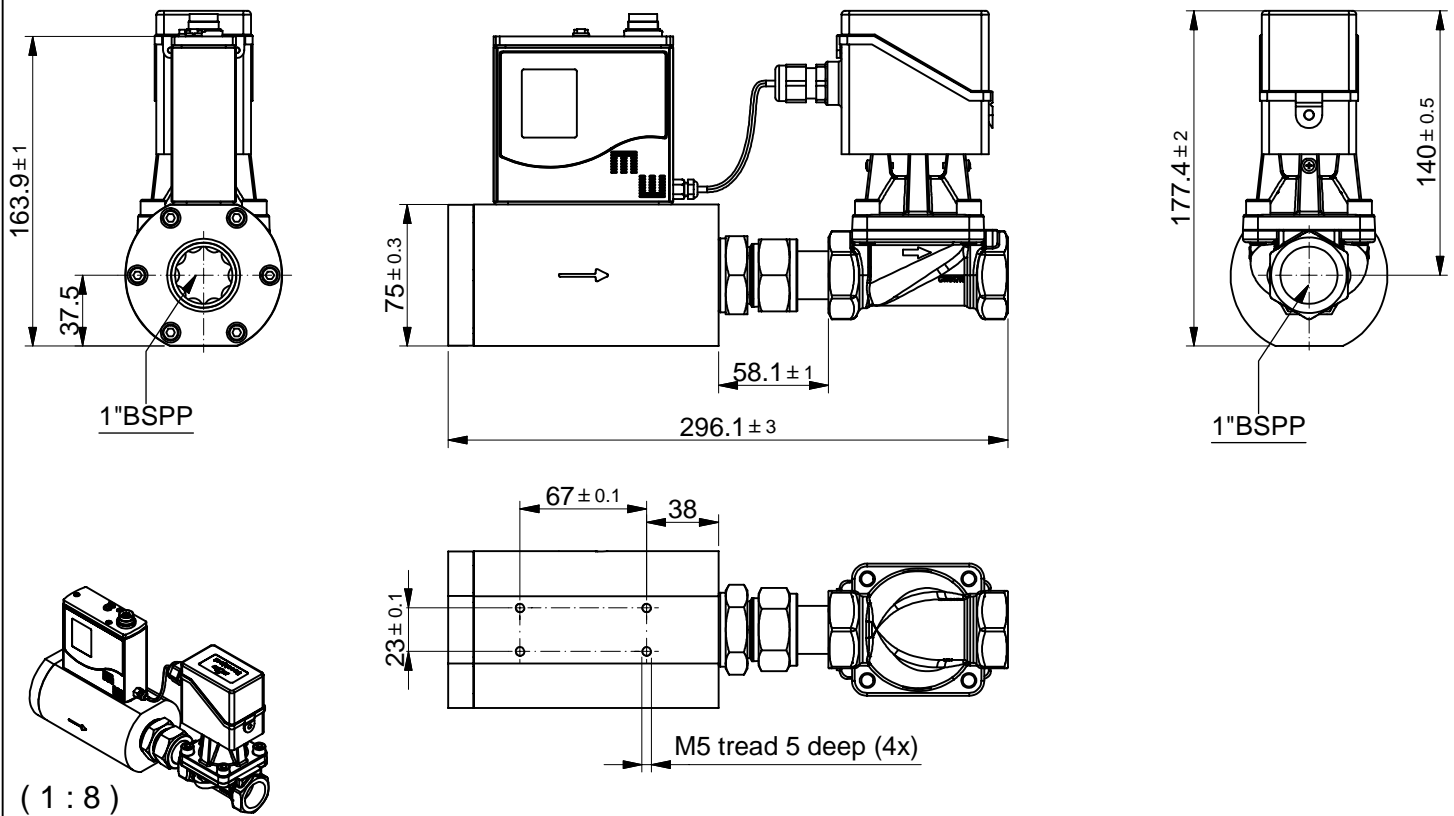
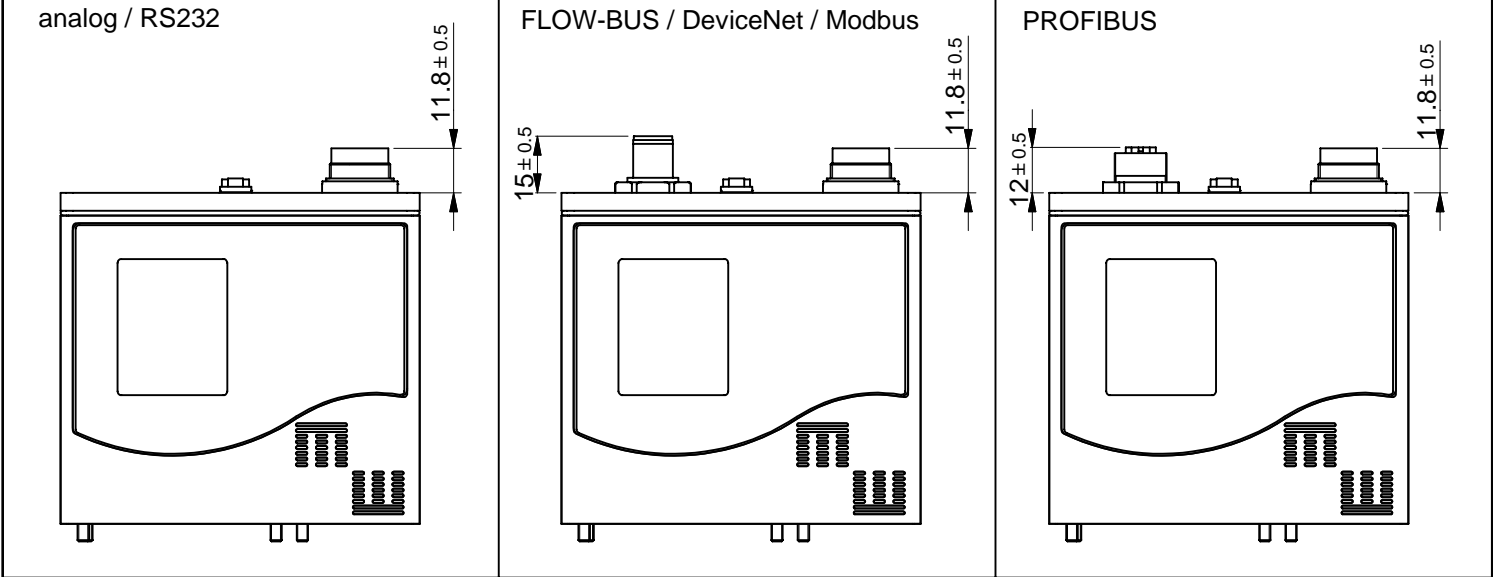

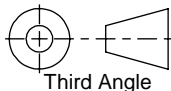


One of these digital case assemblies replaces the case assembly as drawn in the dimensional drawing. Please note that the height increases when a connector is used.



Tolerances ± 0.2 unless otherwise mentioned

Dimensions subject to change without notice.

Title: Dimensional drawing M+W D-6383/BJ1"		Drawer : M.B. Date: 07-01-2010	Revision Description: PRELIMINARY New drawing.	
 M+W Instruments GmbH WWW.MW-INSTRUMENTS.COM	Projection:  Third Angle	Checked : Date: 07-01-2010	Rev. by:	Scale: 1/4
	Dimensions: Metric (mm)	Drawing no.: 7.05.775	Rev.: A	A4 Page: 1-1