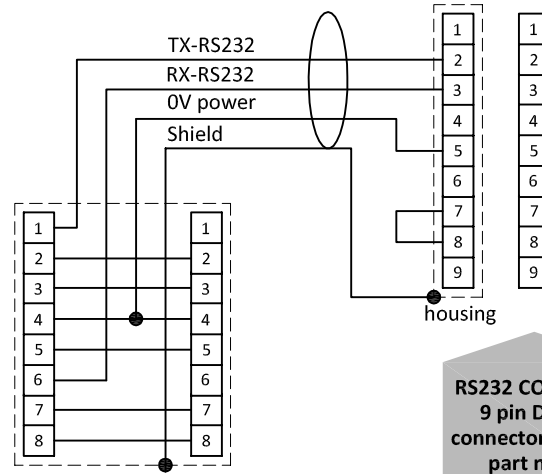


# RS232+Analog I/O

## Hook-up diagram

### RS232 connection



RS232 COM-port  
9 pin D-Sub  
connector chassis  
part male

T-adapter  
cable 7.03.444

### Types

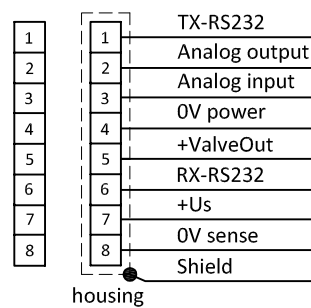
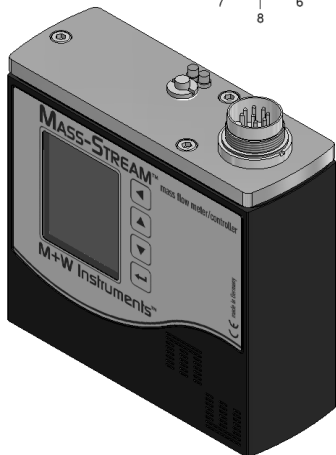
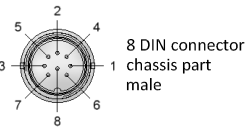
D-6300 Series

### Model key explanation

D - N N N N - X X X - X X - N N - X - S - D X

- A Output / setpoint 0...5Vdc
- B Output / setpoint 0...10Vdc
- F Output 0...20mAdc sourcing  
Setpoint 0...20mAdc sinking
- G Output 4...20mAdc sourcing  
Setpoint 4...20mAdc sinking
- D +15Vdc ... 24Vdc power supply

R RS232 / Ana. I/O



8 DIN  
connector  
chassis part  
male

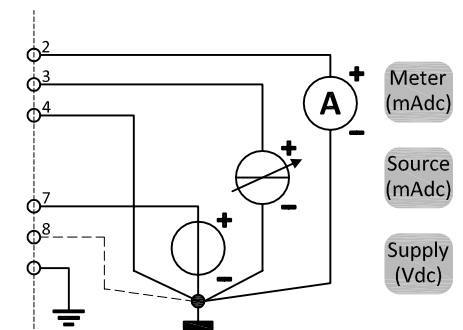
8 DIN  
connector  
cable part  
female

Note:  
Do not connect an external valve to instruments set as MFM.

Note:  
0V power (pin 4) and 0V sense (pin 8) should be separately  
connected to the 0V terminal at the power supply.

Analog operated  
0...5 or 0...10Vdc

Note:  
When using a field bus or RS232, it is not possible to operate the instrument by using the setpoint signal of the analog 8 DIN connector without changing the value of parameter "control mode". See doc.no. 9.17.023 for more details



Note:  
In analog mode with 'mA signals' Pin 8 (0V sense) does  
not need to be connected. The instrument's operation  
will not be effected in case Pin 8 is already hooked-up

Analog operated  
0...20 or 4...20mAdc