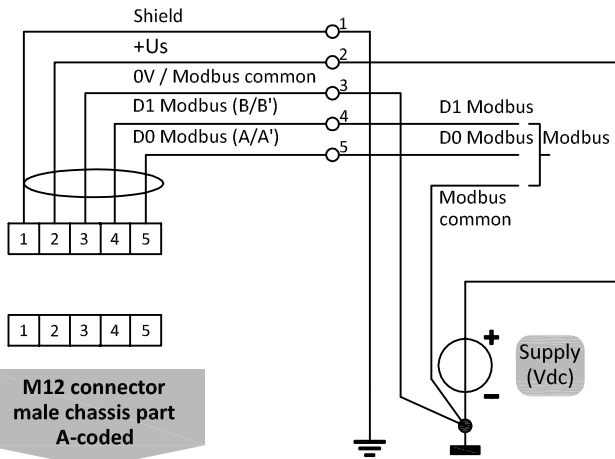


Modbus connection



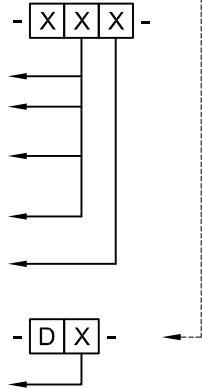
Types

D-6300 Series

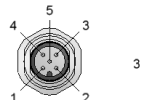
Model key explanation

D - **NNNNN** - **XXX** - **XX** - **XX** - **NN** - **X** - **S** - **DX**

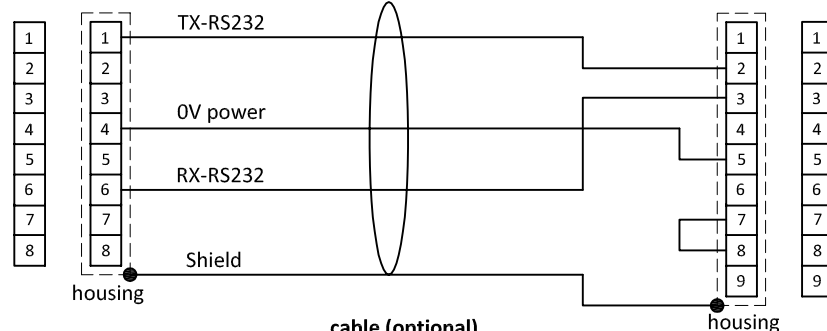
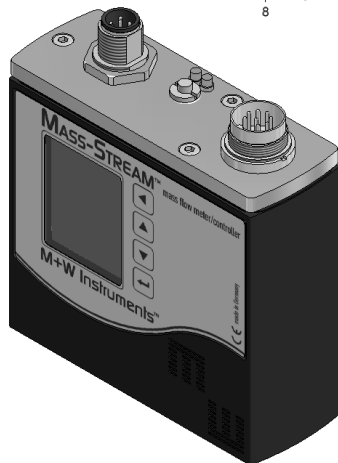
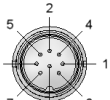
A	Output / setpoint	0...5Vdc
B	Output / setpoint	0...10Vdc
F	Output	0...20mAdc sourcing
	Setpoint	0...20mAdc sinking
G	Output	4...20mAdc sourcing
	Setpoint	4...20mAdc sinking
D	+15Vdc ... 24Vdc power supply	
M	Modbus	



M12 connector male chassis part A-coded



8 DIN connector chassis part male



8 DIN connector chassis part male

8 DIN connector cable part female

RS232 COM -port 9 pin D-Sub connector chassis part male

Note:
When using a field bus or RS232, it is not possible to operate the instrument by using the setpoint signal of the analog 8 DIN connector without changing the value of parameter "control mode".
See doc.no. 9.17.023 for more details

Note:
Do not connect an external valve to instruments, set as MFM.

Note:
Powering a single instrument is possible by the 8 DIN connector.
See doc. no. 9.16.092 for the hook-up diagram.