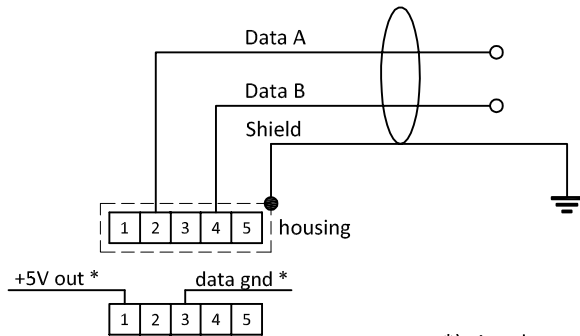


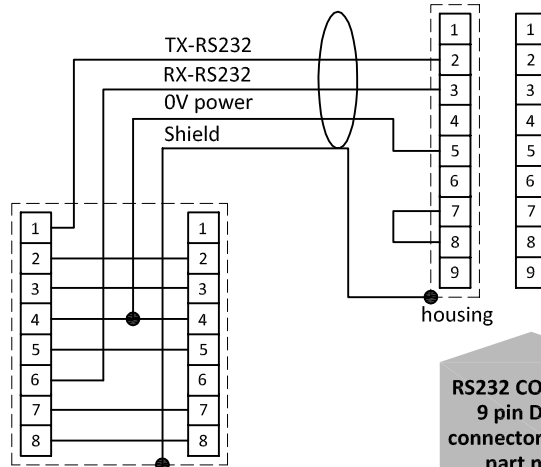
PROFIBUS connection



M12 connector female chassis part B-coded

*) signals are for termination purpose only.

RS232 connection



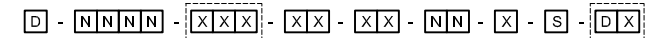
RS232 COM-port 9 pin D-Sub connector chassis part male

T-adapter cable 7.03.444

Types

D-6300 Series

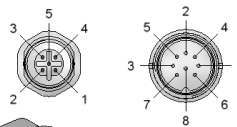
Model key explanation



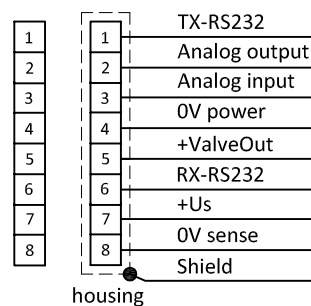
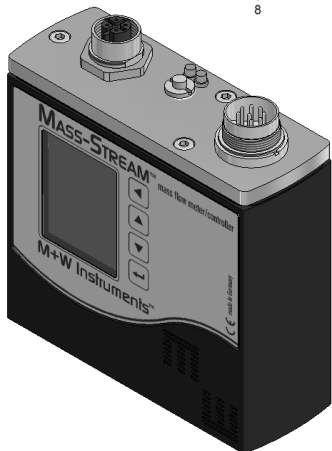
- A** Output / setpoint 0...5Vdc
- B** Output / setpoint 0...10Vdc
- F** Output 0...20mAdc sourcing
Setpoint 0...20mAdc sinking
- G** Output 4...20mAdc sourcing
Setpoint 4...20mAdc sinking
- D** +15Vdc ... 24Vdc power supply

P PROFIBUS-DP

M12 connector female chassis part B-coded



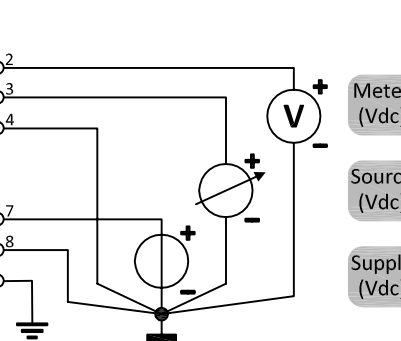
8 DIN connector chassis part male



8 DIN connector chassis part male

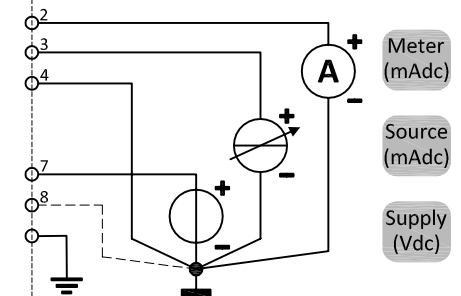
8 DIN connector cable part female

Note:
Do not connect an external valve to instruments, set as MFM.



Analog operated 0...5 or 0...10Vdc

Note:
When using a field bus or RS232, it is not possible to operate the instrument by using the setpoint signal of the analog 8 DIN connector without changing the value of parameter "control mode". See doc.no. 9.17.023 for more details



Analog operated 0...20 or 4...20mAdc